

HERITAGE® 14
MODELS 4A6H4018-060B

Features and Benefits

- ◆ **Duration™** compressor
- ◆ Efficiency up to 15 SEER and 9.85 HSPF
- ◆ Attractive warm gray cabinet with accent Grill, Badge and Grill Caps
- ◆ Corrosion resistant finish and fasteners
- ◆ **DuraBase™** base paint won't rust, drains completely
- ◆ Control and service valve cover
- ◆ Multi-use service valves
- ◆ Full coil protection with seacoast shield
- ◆ Liquid line filter-drier
- ◆ All aluminum **SpineFin™** coil
- ◆ **Easy-Sess™** service access for installation, service and maintenance
- ◆ **Comfort "R"™** mode approved
- ◆ Low sound with advanced fan system and compressor sound insulator
- ◆ American Standard and Heritage® 14 badge identifier
- ◆ Factory installed start kit on 024 and 060 models
- ◆ High pressure switch and internal compressor temperature/pressure protection
- ◆ Vertical air discharge
- ◆ Factory supplied charge of R-410A refrigerant
- ◆ **10 year limited warranty on compressor, coil, and 5 years on parts**
- ◆ Compressor sump heat
- ◆ Electronic demand defrost control
- ◆ Low ambient cooling to 55°F as shipped
- ◆ Low ambient cooling to 40°F with EDC accessory AY28X084
- ◆ Low ambient cooling to 30°F with EDC accessory AY28X084 and TXV
- ◆ **Optional extended warranties**

Contents

Manufacturing Control

American Standard Heating & Air Conditioning's exclusive control over the design and manufacturing of all major components is unique in the industry. This approach assures us total control over both the quality and reliability of these components. It also allows us to custom match components to deliver the best in split system performance.

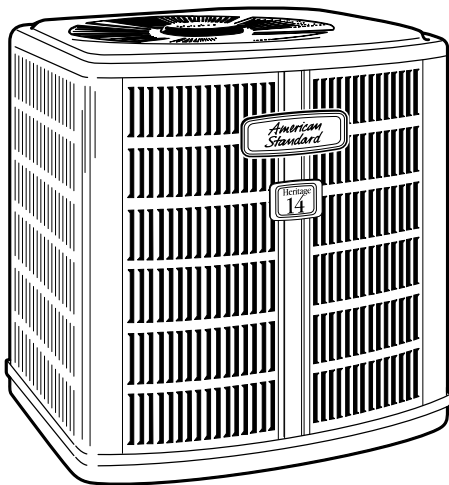
Designing the Details

Careful attention was given to designing the details — from control wiring to the access panels. American Standard Heating & Air Conditioning units feature time-saving color-coded wiring and removable panels which allow complete access to all major components and controls. All outdoor units feature external high and low pressure gauge ports for easy diagnosing and servicing of the unit.

UL Listed

American Standard Heating & Air Conditioning meets or exceeds all nationally recognized agency safety and design standards. Each condensing unit is UL designed, approved, and labeled in accordance to UL Standards, 1995, including approval for use in Canada. Each unit is rated in accordance with ARI Standard 210/240 and 270.

Features and Benefits	2
General Data	4
Product Specifications	4
A-weighted Sound	
Power Level [dB(A)]	4
Accessory Description and Usage	5
ARI Standard Capacity Rating Conditions	5
Model Nomenclature	6
Typical Wiring	7
Dimensional Data	10
Mechanical Specifications	11



DATA SUBJECT TO CHANGE WITHOUT NOTICE

PRODUCT DATA

American Standard Heating & Air Conditioning, Tyler, TX 75711-9010

General Data

Product Specifications

Model No. ①	4A6H4024B1	4A6H4030B1	4A6H4036B1
Electrical Data V/Ph/Hz ②	200/230/1/60	208/230/1/60	208/230/1/60
Min Cir Ampacity	13	20	21
Max Fuse Size (Amps)	20	30	35
Compressor	DURATION™	DURATION™ - SCROLL	DURATION™ - SCROLL
RL Amps - LR Amps	9.4 - 63	14.7 - 73	15.4 - 83
Outdoor Fan FL Amps	0.9	1.4	1.3
Fan HP	1/8	1/6	1/6
Fan Dia (inches)	23	23	27.6
Coil	Spine Fin™	Spine Fin™	Spine Fin™
Refrigerant R-410A	6/10-LB/OZ	6/02-LB/OZ	7/01-LB/OZ
Line Size - (in.) O.D. Gas ③	5/8	3/4	3/4
Line Size - (in.) O.D. Liquid ③	5/16	5/16	3/8
Dimensions H x W x D (Crated)	46 x 30.1 x 33	46 x 30.1 x 33	42.4 x 35.1 x 38.7
Weight - Shipping	250	246	266
Weight - Net	221	217	232
Start Components	YES	NO	NO
Sound Enclosure	YES	YES	YES
Compressor Sump Heat	YES	YES	YES
Optional Accessories: ④			
Anti-short Cycle Timer	TAYASCT501A	TAYASCT501A	TAYASCT501A
Evaporator Defrost Control A/C	AY28X084	AY28X084	AY28X084
Rubber Isolator Kit	BAYISLT101	BAYISLT101	BAYISLT101
Snow Leg - Base & Cap 4" High	BAYLEGS002	BAYLEGS002	BAYLEGS002
Snow Leg - 4" Extension	BAYLEGS003	BAYLEGS003	BAYLEGS003
Hard Start Kit Scroll		BAYKSKT260	BAYKSKT260
Extreme Condition Mounting Kit	BAYECMT023	BAYECMT023	BAYECMT004
Refrigerant Lineset ⑤	TAYREFLN6*	TAYREFLN2*	TAYREFLN7*

① Certified in accordance with the Air-Source Unitary Heat Pump Equipment certification program which is based on ARI Standard 210/240.

② Calculated in accordance with N.E.C. Only use HACR circuit breakers or fuses.

③ Standard line lengths - 60'. Standard lift - 60' Suction and Liquid line.

For Greater lengths and lifts refer to refrigerant piping software Pub# 32-3312-01. (*denotes latest revision)

④ For accessory description and usage, see page 5.

⑤ * = 15, 20, 25, 30, 40 and 50 foot lineset available.

A-weighted Sound Power Level [dB(A)]

MODEL	SOUND POWER LEVEL [dB(A)]	A-WEIGHTED FULL OCTAVE SOUND POWER LEVEL dB - [dB(A)]							
		63	125	250	500	1000	2000	4000	8000
4A6H4024B1	74	47.6	54.8	61.1	68.7	67.9	66.5	62.5	59.5
4A6H4030B1	71	51.0	56.9	56.6	64.7	64.5	60.8	54.6	48.3
4A6H4036B1	74	47.8	57.7	64.0	66.4	69.3	61.7	55.0	48.8
4A6H4042B1	74	50.5	57.7	63.1	67.5	67.5	61.1	56.1	50.0
4A6H4048B1	74	50.5	57.7	63.1	67.5	67.5	61.1	56.1	50.0
4A6H4060B1	74	46.1	59.7	60.0	67.5	69.0	62.2	55.9	50.3

Note: Tested in accordance with ARI Standard 270.95. (Not listed with ARI)

General Data

Product Specifications

Model No. ①	4A6H4042B1	4A6H4048B1	4A6H4060B1
Electrical Data V/Ph/Hz ②	208/230/1/60	208/230/1/60	208/230/1/60
Min Cir Ampacity	25	30	36
Max Fuse Size (Amps)	40	50	60
Compressor	DURATION™ - SCROLL	DURATION™ - SCROLL	DURATION™ - SCROLL
RL Amps - LR Amps	19.2 - 104	23.1 - 134	27.6 - 158
Outdoor Fan FL Amps	1.3	1.3	1.3
Fan HP	1/6	1/6	1/6
Fan Dia (inches)	27.6	27.6	27.6
Coil	Spine Fin™	Spine Fin™	Spine Fin™
Refrigerant R-410A	7/04-LB/OZ	9/11-LB/OZ	11/02-LB/OZ
Line Size - (in.) O.D. Gas ③	3/4	7/8	7/8
Line Size - (in.) O.D. Liquid ③	3/8	3/8	3/8
Dimensions H x W x D (Crated)	46.4 x 35.1 x 38.7	46.4 x 35.1 x 38.7	46.4 x 35.1 x 38.7
Weight - Shipping	281	288	326
Weight - Net	245	252	290
Start Components	NO	NO	YES
Sound Enclosure	YES	YES	YES
Compressor Sump Heat	YES	YES	YES
Optional Accessories: ④			
Anti-short Cycle Timer	TAYASCT501A	TAYASCT501A	TAYASCT501A
Evaporator Defrost Control A/C	AY28X084	AY28X084	AY28X084
Rubber Isolator Kit	BAYISLT101	BAYISLT101	BAYISLT101
Snow Leg - Base & Cap 4" High	BAYLEGS002	BAYLEGS002	BAYLEGS002
Snow Leg - 4" Extension	BAYLEGS003	BAYLEGS003	BAYLEGS003
Hard Start Kit Scroll	BAYKSKT260	BAYKSKT260	
Extreme Condition Mounting Kit	BAYECMT004	BAYECMT004	BAYECMT004
Refrigerant Lineset ⑤	TAYREFLN7*	TAYREFLN3*	TAYREFLN3*

Accessory Description and Usage

Anti-Short Cycle Timer — Solid state timing device that prevents compressor recycling until 5 minutes have elapsed after satisfying call or power interruptions. Use in area with questionable power delivery, commercial applications, long lineset, etc.

Evaporator Defrost Control — SPST Temperature actuated switch that cycles the condenser off as indoor coil reaches freeze-up conditions. Used for low ambient cooling to 30°F with TXV.

Rubber Isolators — 5 large rubber donuts to isolate condensing unit from transmitting energy into mounting frame or pad. Use on any application where sound transmission needs to be minimized.

Hard Start kit — Start capacitor and relay to assist compressor motor startup. Use in areas with marginal power supply, on long linesets, low ambient conditions, etc.

Extreme Condition Mount Kit — Bracket kits to securely mount condensing unit to a frame or pad without removing any panels. Use in areas with high winds, or on commercial roof tops, etc.

ARI Standard Capacity Rating Conditions

ARI STANDARD 210/240 RATING CONDITIONS —

- (A) Cooling 80°F DB, 67°F WB air entering indoor coil, 95°F DB air entering outdoor coil.
- (B) High Temperature Heating 47°F DB, 43°F WB air entering outdoor coil, 70°F DB air entering indoor coil.
- (C) Low Temperature Heating 17°F DB, 15°F WB air entering outdoor coil, 70°F DB air entering indoor coil.
- (D) Rated indoor airflow for heating is the same as for cooling.

ARI STANDARD 270 RATING CONDITIONS — (Noise rating numbers are determined with the unit in cooling operation.) Standard Noise Rating number is at 95°F outdoor air.



SPLIT SYSTEM



PRODUCT DATA

American Standard Heating & Air Conditioning, Tyler, TX 75711-9010

Model Nomenclature

Outdoor Units

4 A 6 H 4 0 3 6 B 1 0 0 0 A A

Refrigerant Type
 2 = R-22
 4 = R-410A

AMERICAN STANDARD

Product Type
 6 = Split Heat Pump
 7 = Split Cooling

Product Family
 A = Allegiance
 H = Heritage
 B = Basic
 C = Light Commercial

Family SEER
 0 = 10 3 = 13 6 = 16
 1 = 11 4 = 14 8 = 18
 2 = 12 5 = 15 9 = 19

Split System Connections 1-6 Tons
 0 = Brazed

Nominal Capacity in 000s of BTUs

Major Design Modifications

Power Supply
 1 = 200-230/1/60 or 208-230/1/60
 3 = 200-230/3/60
 4 = 460/3/60

Secondary Function

Minor Design Modifications

Unit Parts Identifier

Heat Pump/ Cooling Coils

2 T X C B 0 3 6 A C 3 H C A A

Refrigerant Type
 2 = R-22
 4 = R-410A

Series
 T = Premium (Heat Pump or Convertible Coil)
 C = Standard (Cooling Only)

Coil Design
 X = Direct Expansion Evaporator Coil

Coil Feature
 C = Cased A Coil
 A = Uncased A Coil
 F = Cased Horizontal Flat Coil

Coil Width (Cased/Uncased)
 A = 14.5" / 13.3"
 B = 17.5" / 16.3"
 C = 21.0" / 19.8"
 D = 24.5" / 23.3"
 H = 10.5"

Refrigerant Line Coupling
 0 = Brazed

Nominal Capacity in 000's of BTU's

Major Design Change

Efficiency
 C = Standard
 S = Hi Efficiency (derived from 10 SEER products)

Refrigerant Control
 3 = TXV - Non-Bleed

Coil Circuitry
 H = Heat Pump
 C = Cooling

Airflow Configuration
 A = Upflow Only
 U = Upflow / Downflow
 H = Horizontal Only
 C = Convertible - Upflow, Downflow, Left or Right Airflow

Minor Design Change

Unit Parts Identifier

Gas Furnaces

A U D 1 B 0 8 0 A 9 H 3 1 A A

Furnace Configuration
 AU = Upflow/Horizontal
 AD = Downflow/Horizontal

Type
 E = 80% Induced Draft Standard
 D = 80% Induced Draft Premium
 C = 90% Condensing Standard
 X = 90% Condensing Premium
 H = 95% Condensing Premium

Number of Heating Stages
 1 = Single Stage
 2 = Two Stage
 3 = Three Stage

Cabinet Width
 A = 14.5" Cabinet Width
 B = 17.5" Cabinet Width
 C = 21.0" Cabinet Width
 D = 24.5" Cabinet Width

Heating Input
 080 = 80,000 MBTUH

Major Design Change

Voltage
 9 = 115 Volts / 60 Hertz / Natural Gas
 A = 115 Volts / 50 Hertz / Natural Gas
 C = 115 Volts / Natural Gas with Communicating System Control
 F = 115 Volts / Natural Gas with Integrated Electronic Filter
 D = 115 Volts / Natural Gas with Communicating System Control and Integrated Electronic Filter

Air Capacity for Cooling
 36 = 3 Ton Standard PSC Motor
 H3 = 3 Ton High Efficiency Motor
 V3 = 3 Ton Variable Speed Motor

Draft Inducer Speeds
 1 = Single Speed
 2 = Two Speed
 V = Variable Speed

Minor Design Change

Service Digit - Not Orderable

Air Handlers - Residential

4 T E E 3 F 3 6 A 1 0 0 0 A A

Refrigerant Type
 4 = R-410A
 2 = R-22

Application
 TE = Fully Convertible
 TG = Semi Convertible
 TF = Front Return
 TV = Vertical

Product Family
 E = Leadership - Variable Speed
 P = Leadership
 C = Replacement/Retail
 B = Basic

Flow Control
 3 = Nonbleed TXV
 4 = FCCV*

Feature Identifier
 0 = Standard Unit
 F = Air-Tite™

Nominal Capacity in 000s of BTUs

Major Design Modifications

Power Supply
 1 = Single Phase

Electrical Connection
 0 = Pig Tails
 B = Circuit Breaker
 D = Pull Disconnect

Future Option - Factory Installed Heater Nominal KW Value

Minor Design Modifications

Unit Parts Identifier

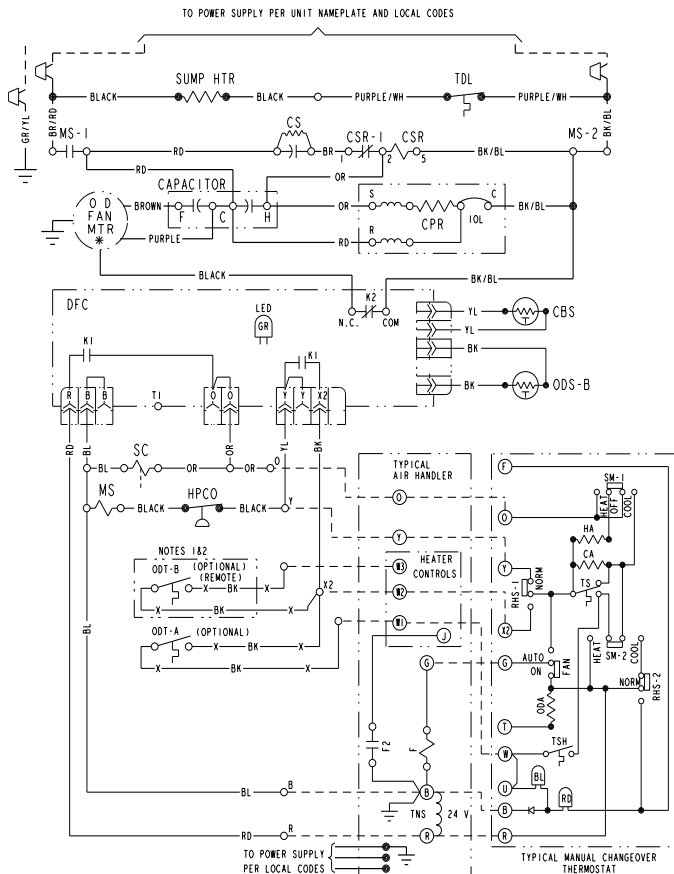
NOTE: There will be a phase-in of new model numbers for new air handlers over next 2 years.
 *Shipped with R-22 FCCV

Typical Wiring

SCHEMATIC DIAGRAMS

(SEE LEGEND)

4A6H4024B



NOTES:

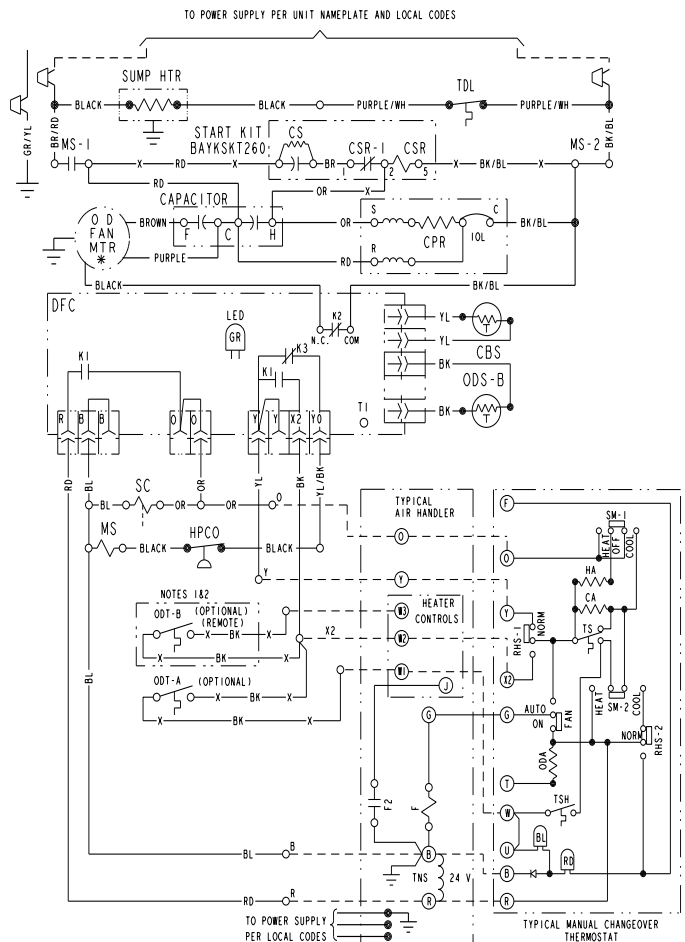
1. IF ODT-B IS NOT USED, ADD JUMPER BETWEEN W2 & W3 AT AIR HANDLER. IF USED, ODT-B MUST BE MOUNTED REMOTE OF CONTROL BOX IN AN APPROVED WEATHER PROOF ENCLOSURE.
2. IF ODT-A IS NOT USED, ADD JUMPER BETWEEN W1 & W2 AT AIR HANDLER.
3. LOW VOLTAGE (24 V.) FIELD WIRING MUST BE 18 AWG MIN.

<p>⚠ WARNING HAZARDOUS VOLTAGE! DISCONNECT ALL ELECTRIC POWER INCLUDING REMOTE DISCONNECTS BEFORE SERVICING. FAILURE TO DISCONNECT POWER BEFORE SERVICING CAN CAUSE SEVERE PERSONAL INJURY OR DEATH!</p>	<p>⚠ CAUTION USE COPPER CONDUCTORS ONLY! UNIT TERMINALS ARE NOT DESIGNED TO ACCEPT OTHER TYPES OF CONDUCTORS. FAILURE TO DO SO MAY CAUSE DAMAGE TO THE EQUIPMENT!</p>
---	--

FOR CANADIAN INSTALLATIONS
POUR INSTALLATIONS CANADIENNES
CAUTION: NOT SUITABLE FOR USE ON SYSTEMS EXCEEDING 150V-TO-GROUND.
ATTENTION: NE CONVIENT PAS AUX INSTALLATIONS DE PLUS DE 150 V A LA TERRE.

Printed from D155585REV00

4A6H4030,036,042B



NOTES:

1. IF ODT-B IS NOT USED, ADD JUMPER BETWEEN W2 & W3 AT AIR HANDLER. IF USED, ODT-B MUST BE MOUNTED REMOTE OF CONTROL BOX IN AN APPROVED WEATHER PROOF ENCLOSURE.
2. IF ODT-A IS NOT USED, ADD JUMPER BETWEEN W1 & W2 AT AIR HANDLER.
3. LOW VOLTAGE (24 V.) FIELD WIRING MUST BE 18 AWG MIN.

<p>⚠ WARNING HAZARDOUS VOLTAGE! DISCONNECT ALL ELECTRIC POWER INCLUDING REMOTE DISCONNECTS BEFORE SERVICING. FAILURE TO DISCONNECT POWER BEFORE SERVICING CAN CAUSE SEVERE PERSONAL INJURY OR DEATH!</p>	<p>⚠ CAUTION USE COPPER CONDUCTORS ONLY! UNIT TERMINALS ARE NOT DESIGNED TO ACCEPT OTHER TYPES OF CONDUCTORS. FAILURE TO DO SO MAY CAUSE DAMAGE TO THE EQUIPMENT!</p>
---	--

FOR CANADIAN INSTALLATIONS
POUR INSTALLATIONS CANADIENNES
CAUTION: NOT SUITABLE FOR USE ON SYSTEMS EXCEEDING 150V-TO-GROUND.
ATTENTION: NE CONVIENT PAS AUX INSTALLATIONS DE PLUS DE 150 V A LA TERRE.

Printed from D155586REV00

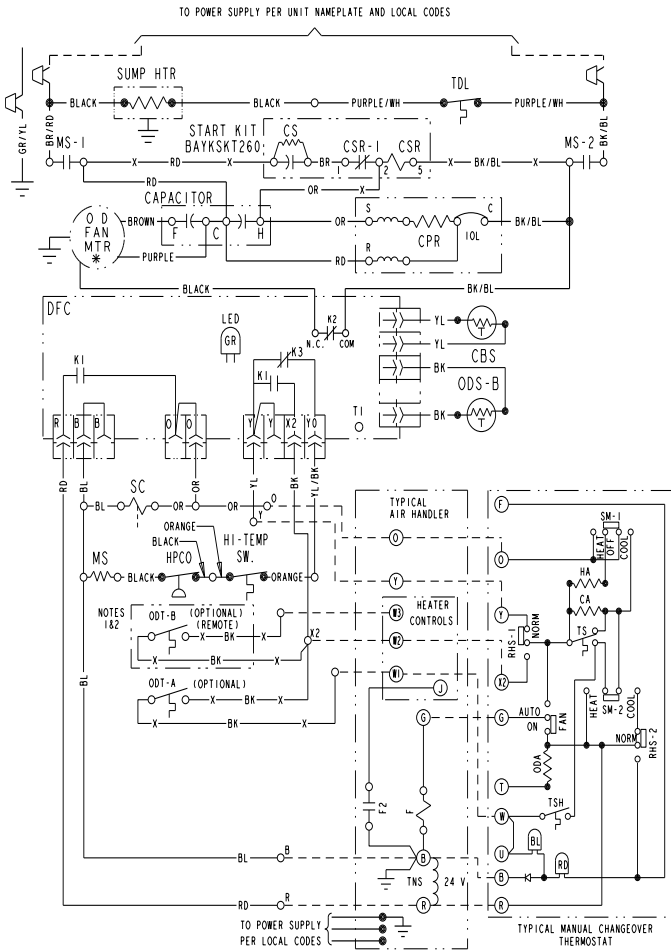
PRODUCT DATA

American Standard Heating & Air Conditioning, Tyler, TX 75711-9010

Typical Wiring

SCHEMATIC DIAGRAMS (SEE LEGEND)

4A6H4048B



NOTES:

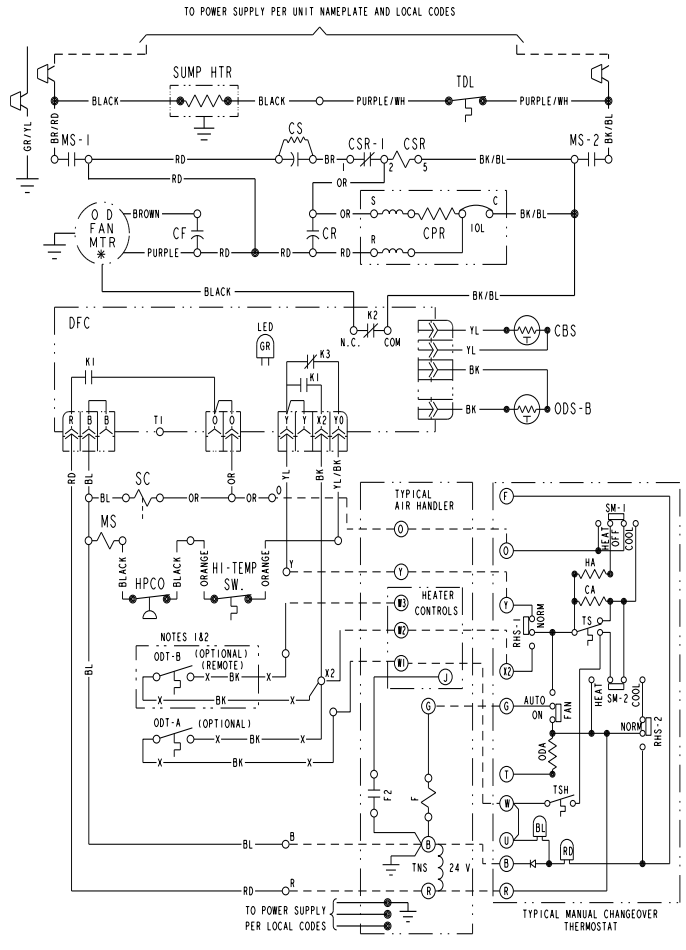
1. IF ODT-B IS NOT USED, ADD JUMPER BETWEEN W2 & W3 AT AIR HANDLER.
IF USED, ODT-B MUST BE MOUNTED REMOTE OF CONTROL BOX IN AN APPROVED WEATHER PROOF ENCLOSURE.
2. IF ODT-A IS NOT USED, ADD JUMPER BETWEEN W1 & W2 AT AIR HANDLER.
3. LOW VOLTAGE (24 V.) FIELD WIRING MUST BE 18 AWG MIN.

<p>⚠ WARNING HAZARDOUS VOLTAGE! DISCONNECT ALL ELECTRIC POWER INCLUDING REMOTE DISCONNECTS BEFORE SERVICING. FAILURE TO DISCONNECT POWER BEFORE SERVICING CAN CAUSE SEVERE PERSONAL INJURY OR DEATH!</p>	<p>⚠ CAUTION USE COPPER CONDUCTORS ONLY! UNIT TERMINALS ARE NOT DESIGNED TO ACCEPT OTHER TYPES OF CONDUCTORS. FAILURE TO DO SO MAY CAUSE DAMAGE TO THE EQUIPMENT!</p>
---	--

FOR CANADIAN INSTALLATIONS
POUR INSTALLATIONS CANADIENNES
CAUTION: NOT SUITABLE FOR USE ON SYSTEMS EXCEEDING 150V-TO-GROUND.
ATTENTION: NE CONVIENT PAS AUX INSTALLATIONS DE PLUS DE 150 V A LA TERRE.

Printed from D155587REV00

4A6H4060B



NOTES:

1. IF ODT-B IS NOT USED, ADD JUMPER BETWEEN W2 & W3 AT AIR HANDLER.
IF USED, ODT-B MUST BE MOUNTED REMOTE OF CONTROL BOX IN AN APPROVED WEATHER PROOF ENCLOSURE.
2. IF ODT-A IS NOT USED, ADD JUMPER BETWEEN W1 & W2 AT AIR HANDLER.
3. LOW VOLTAGE (24 V.) FIELD WIRING MUST BE 18 AWG MIN.

<p>⚠ WARNING HAZARDOUS VOLTAGE! DISCONNECT ALL ELECTRIC POWER INCLUDING REMOTE DISCONNECTS BEFORE SERVICING. FAILURE TO DISCONNECT POWER BEFORE SERVICING CAN CAUSE SEVERE PERSONAL INJURY OR DEATH!</p>	<p>⚠ CAUTION USE COPPER CONDUCTORS ONLY! UNIT TERMINALS ARE NOT DESIGNED TO ACCEPT OTHER TYPES OF CONDUCTORS. FAILURE TO DO SO MAY CAUSE DAMAGE TO THE EQUIPMENT!</p>
---	--


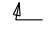
FOR CANADIAN INSTALLATIONS
POUR INSTALLATIONS CANADIENNES
CAUTION: NOT SUITABLE FOR USE ON SYSTEMS EXCEEDING 150V-TO-GROUND.
ATTENTION: NE CONVIENT PAS AUX INSTALLATIONS DE PLUS DE 150 V A LA TERRE.

Printed from D155588REV00






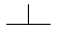



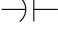
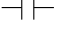
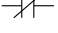


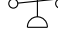
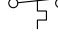
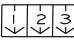
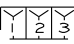



Typical Wiring

SCHEMATIC DIAGRAMS

LEGEND

	COLOR OF WIRE				
BK/BL	BLACK WIRE WITH BLUE MARKER				
	COLOR OF MARKER				
BK	BLACK	OR	ORANGE	YL	YELLOW
BL	BLUE	RD	RED	GR	GREEN
BR	BROWN	WH	WHITE	PR	PURPLE

SYMBOLS

	24 V.	}	FACTORY WIRING
	LINE V.		
	24 V.	}	FIELD WIRING
	LINE V.		
	FIELD INSTALLED FACTORY WIRING		
	GROUND		
	JUNCTION		
	WIRE NUT OR CONNECTOR		
	COIL		
	CAPACITOR		
	RELAY CONTACT (N.O.)		
	RELAY CONTACT (N.C.)		
	THERMISTOR		
	INTERNAL OVERLOAD PROTECTOR		
	PRESSURE ACTUATED SWITCH		
	TEMP. ACTUATED SWITCH		
	POL. PLUG FEMALE HOUSING (MALE TERM.)		
	POL. PLUG MALE HOUSING (FEMALE TERM.)		
	RESISTOR OR HEATING ELEMENT		
	MOTOR WINDING		
	TERMINAL		

CA	COOLING ANTICIPATOR	LPCO	LOW PRESSURE CUTOUT SW.
CBS	COIL BOTTOM SENSOR	MS	COMPRESSOR MOTOR CONTACTOR
CF	FAN CAPACITOR	ODA	OUTDOOR ANTICIPATOR
CN	WIRE CONNECTOR	OFT	OUTDOOR FAN THERMOSTAT
CPR	COMPRESSOR	ODS	OUTDOOR TEMPERATURE SENSOR
CR	RUN CAPACITOR	ODT	OUTDOOR THERMOSTAT
CS	STARTING CAPACITOR	RHS	RESISTANCE HEAT SWITCH
CSR	CAPACITOR SWITCHING RELAY	SC	SWITCHOVER VALVE SOLENOID
DFC	DEFROST CONTROL	SM	SYSTEM "ON-OFF" SWITCH
F	INDOOR FAN RELAY	TDL	DISCHARGE LINE THERMOSTAT
HA	HEATING ANTICIPATOR	TNS	TRANSFORMER
HPCO	HIGH PRESSURE CUTOUT SW.	TS	HEATING-COOLING THERMOSTAT
IOL	INTERNAL OVERLOAD PROTECTOR	TSH	HEATING THERMOSTAT

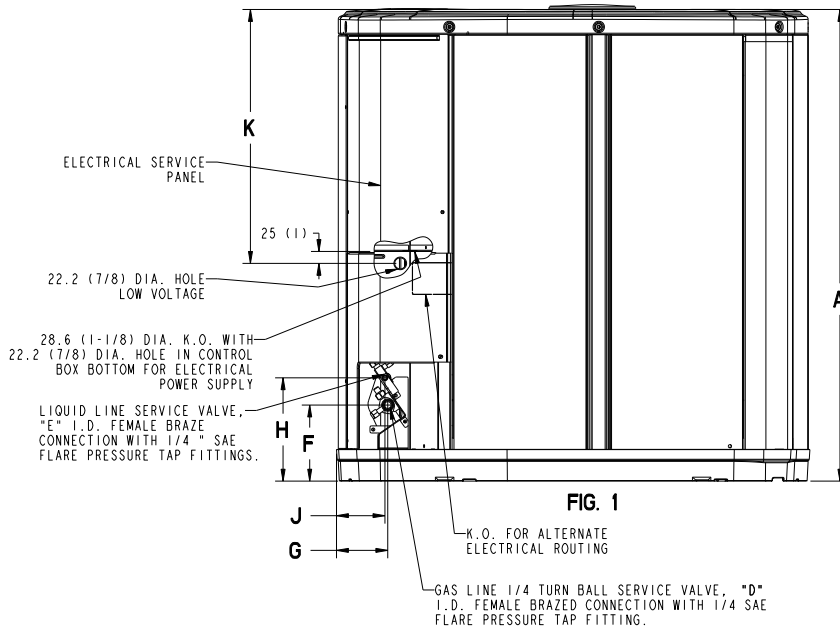
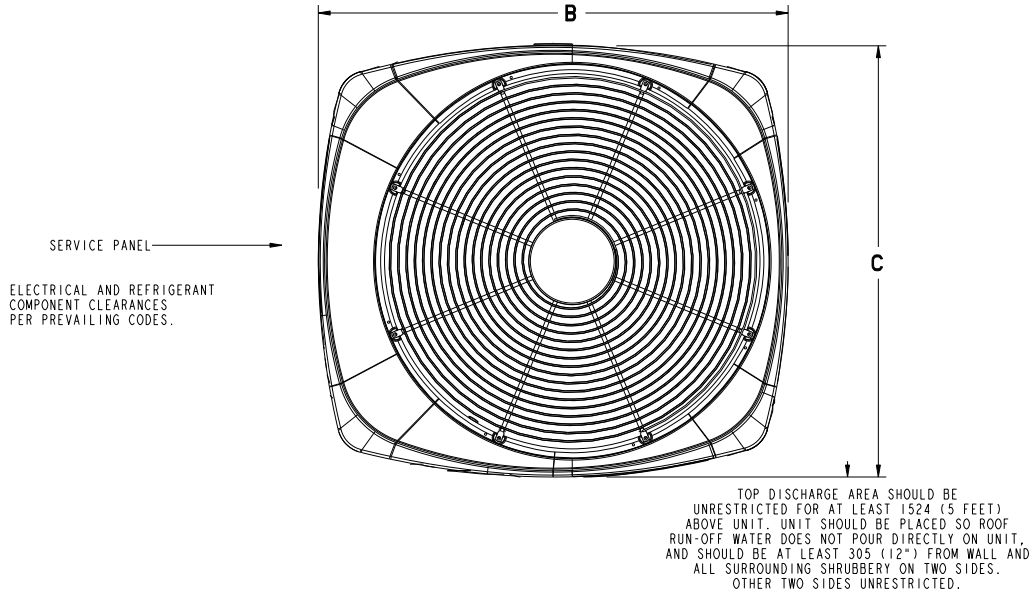
PRODUCT DATA

American Standard Heating & Air Conditioning, Tyler, TX 75711-9010

Dimensional Data

4A6H4 OUTLINE DRAWING

NOTE: ALL DIMENSIONS ARE IN MM (INCHES).



MODELS	BASE	FIG.	A	B	C	D	E	F	G	H	J	K
4A6H4024B	3	1	1035 (40-3/4)	829 (32-5/8)	756 (29-3/4)	5/8	5/16	143 (5-5/8)	92 (3-5/8)	210 (8-1/4)	79 (3-1/8)	508 (20)
4A6H4030B	4	1	1035 (40-3/4)	829 (32-5/8)	756 (29-3/4)	3/4	5/16	152 (6)	98 (3-7/8)	219 (8-5/8)	86 (3/8)	508 (20)
4A6H4036B	4	1	943 (37-1/8)	946 (37-1/4)	870 (34-1/4)	3/4	3/8	152 (6)	98 (3-7/8)	219 (8-5/8)	86 (3/8)	508 (20)
4A6H4042B	4	1	1045 (41-1/8)	946 (37-1/4)	870 (34-1/4)	3/4	3/8	152 (6)	98 (3-7/8)	219 (8-5/8)	86 (3/8)	508 (20)
4A6H4048B	4	1	1045 (41-1/8)	946 (37-1/4)	870 (34-1/4)	7/8	3/8	152 (6)	98 (3-7/8)	219 (8-5/8)	86 (3/8)	508 (20)
4A6H4060B	4	1	1045 (41-1/8)	946 (37-1/4)	870 (34-1/4)	7/8	3/8	152 (6)	98 (3-7/8)	219 (8-5/8)	86 (3/8)	508 (20)

From Dwg. D152862 Rev. 17

Mechanical Specifications

General

These models shall be fully charged from the factory for matched indoor section and up to 15 feet of piping. This unit must be designed to operate at outdoor ambient temperatures as high as 115°F. Cooling capacities shall be matched with a wide selection of air handlers and furnace coils that are ARI certified. The unit shall be UL listed. Exterior must be designed for outdoor application.

Casing

Unit casing is constructed of heavy gauge, galvanized steel and painted with a weather-resistant powder paint finish on all louvered panels. Corrosion and weatherproof CMBP-G30 DuraBase™ base.

Refrigerant Controls

Refrigeration system controls include condenser fan and compressor contactor. High and low pressure controls are inherent to the compressor. Unit also has high pressure switch. Another standard feature is the liquid line drier.

Compressor

The Duration™ compressor features internal over temperature and pressure protector, dipped hermetic motor and sump heater. Other features include: roto lock suction and discharge refrigerant connections, centrifugal oil pump, and low vibration and noise. The Duration™ compressor features a 10-year limited warranty.

Condenser Coil

The Spine Fin™ coil shall be continuously wrapped, corrosion resistant all aluminum with minimum brazed joints. This coil is seamless aluminum glued to a continuous aluminum fin. Coils are lab tested to withstand 2,000 pounds of pressure per square inch.

Low Ambient Cooling

As shipped, this unit has a cooling capability to 55°F. The addition of an evaporator defrost control permits operation to 40°F. The addition of an evaporator defrost control with TXV permits low ambient cooling to 30°F.

Accessories

Thermostats — Heat/cooling (manual and automatic changeover). Sub-base to match thermostat and locking thermostat cover.

Evaporator Defrost Control — See Low Ambient Cooling.

Outdoor Thermostat — Supplemental heat outdoor ambient lockout from 46 to -10°F.

Since the manufacturer has a policy of continuous product and product data improvement, it reserves the right to change design and specifications without notice.

Technical Literature - Printed in U.S.A.

American Standard Heating & Air Conditioning

Troup Highway

Tyler, TX 75711-9010